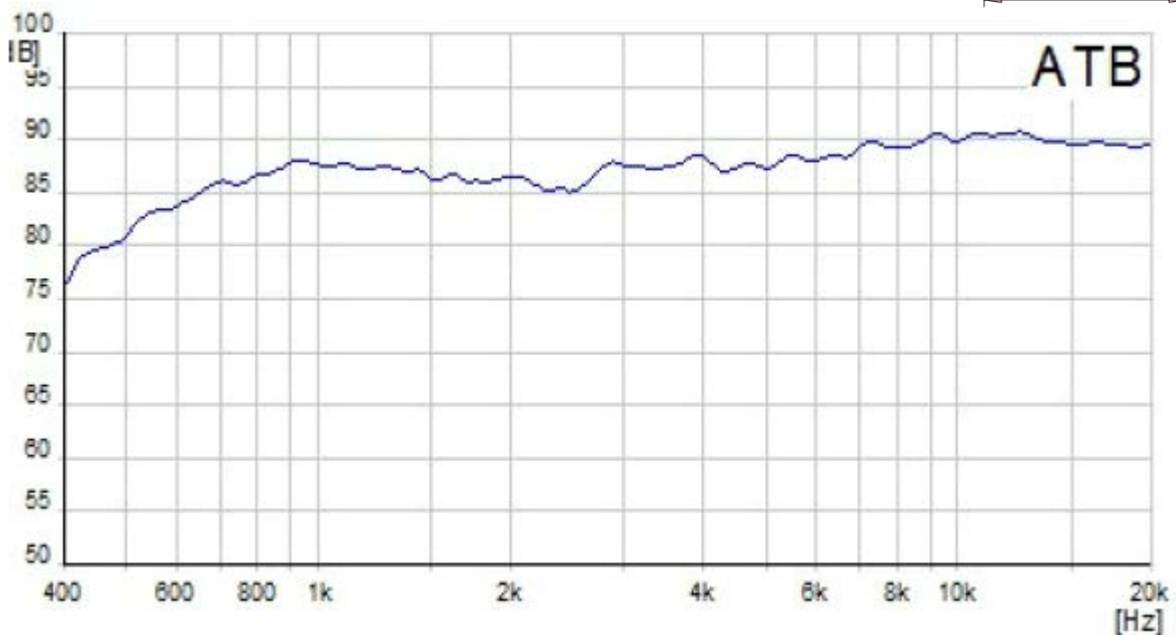
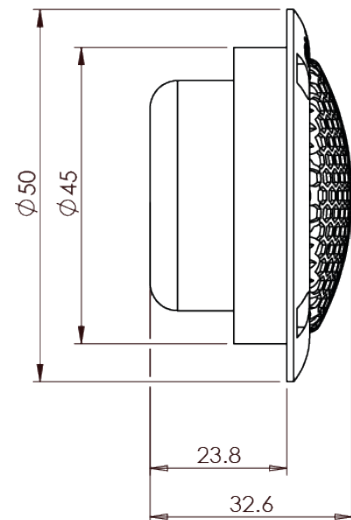


## PRO 25

### Specifications:



Name		<b>HG-25PRO</b>
DC resistance	<i>R<sub>dc</sub></i>	<b>3,4 Ω</b>
Nominal impedance	<i>Z<sub>N</sub></i>	<b>4 Ω</b>
Resonance frequency	<i>f<sub>s</sub></i>	<b>720 HZ</b>
Voice coil diameter		<b>25 mm</b>
Dome/Kalotte		<b>Fine cloth</b>
Cut-off Frequency / Trennfrequenz		<b>&gt; 3000 Hz 12 dB/Oct</b> <b>&gt; 2300 Hz 18 dB/Oct</b> <b>&gt; 1600 Hz 24dB/Oct</b>

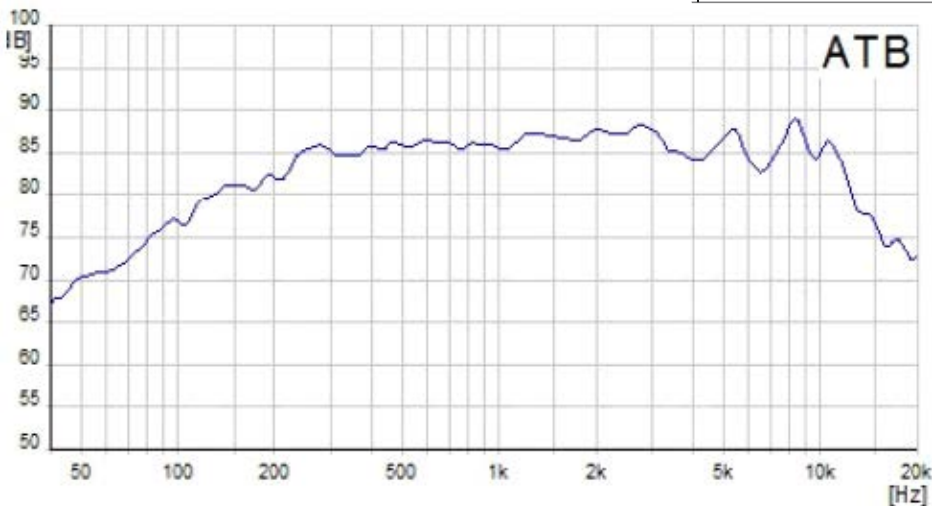
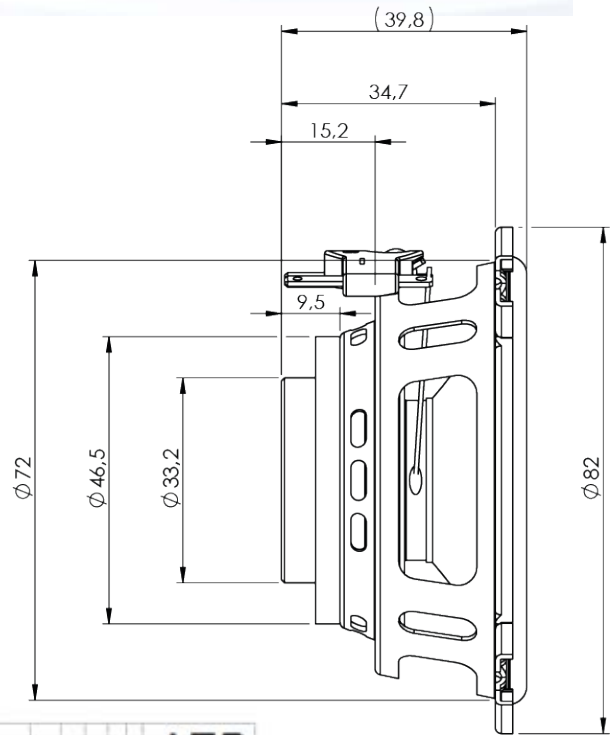


## PRO 80

### Specifications:

Name		<b>HG-80PRO</b>
DC resistance	R <sub>dc</sub>	<b>2,6 Ω</b>
Nominal impedance	Z <sub>N</sub>	<b>3 Ω</b>
Resonance frequency	f <sub>s</sub>	<b>91,4 HZ</b>
Voice coil diameter		<b>25 mm</b>
Mechanical Q factor	Q <sub>ms</sub>	<b>2,79</b>
Electrical Q factor	Q <sub>es</sub>	<b>0,36</b>
Total Q factor	Q <sub>ts</sub>	<b>0,32</b>
Moving mass M <sub>ms</sub>		<b>4,09 g</b>
Effective piston area	S <sub>d</sub>	<b>35 cm<sup>2</sup></b>
Mechanical resistance	R <sub>ms</sub>	<b>0,84 Kg/s</b>
Compliance	C <sub>ms</sub>	<b>0,74 mm/N</b>
Force factor	BL	<b>4,1 Tm</b>
Equivalent air volume	V <sub>as</sub>	<b>1,28 dm<sup>3</sup></b>
Efficiency	η	<b>0,26 %</b>
SPL 2,83V/1m		<b>91 dB</b>
High-pass / Hochpass		<b>&gt; 270 Hz 18 dB/Oct</b> <b>&gt; 320 Hz 12 dB/Oct</b>

Cone:	<b>Paper (sand coated)</b>
Spider:	<b>Nomex</b>
Surround:	<b>SBR (Rubber)</b>
Coil former:	<b>Aluminum</b>
Basket:	<b>Steel</b>
Dust cap:	<b>Paper +Sisal</b>



## PRO 165

### Specifications:



**Cone:** Paper (sand coated)  
**Spider:** Nomex  
**Surround:** SBR (rubber)  
**Coil former:** Fibreglass (GFK)  
**Basket:** Aluminum  
**Dust cap:** Fabric

<b>Name</b>		<b>HG-165PRO DC-3</b>
DC resistance	R <sub>dc</sub>	2,7 Ω
Nominal impedance	Z <sub>N</sub>	3 Ω
Resonance frequency	f <sub>s</sub>	58,79 HZ
Voice coil diameter		37 mm
Mechanical Q factor	Q <sub>ms</sub>	10,44
Electrical Q factor	Q <sub>es</sub>	0,7
Total Q factor	Q <sub>ts</sub>	0,65
Moving mass M <sub>ms</sub>		14,88 g
Effective piston area	S <sub>d</sub>	135 cm <sup>2</sup>
Mechanical resistance	R <sub>ms</sub>	0,53 Kg/s
Compliance	C <sub>ms</sub>	0,49 mm/N
Force factor	BL	4,61Tm
Equivalent air volume	V <sub>as</sub>	12,61 dm <sup>3</sup>
Efficiency	η	0,35 %
SPL 2,83V/1m		92,2 dB

