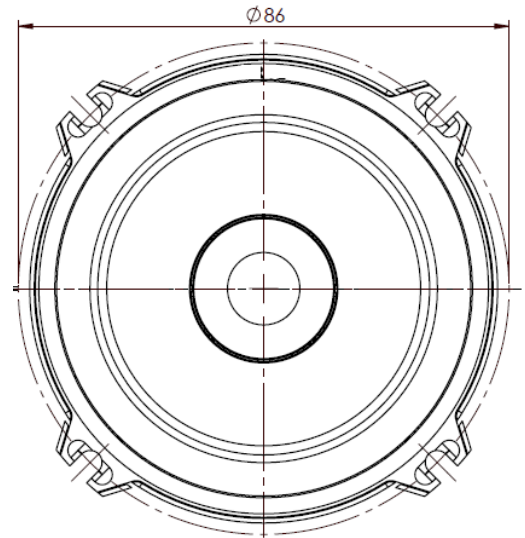
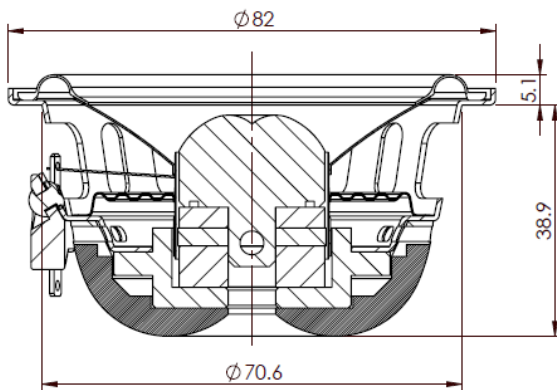


AEROSPACE 80 PP

Specifications:

Name		HG-80AeroPP-3
DC resistance	Rdc	2,5 Ω
Nominal impedance	ZN	3 Ω
Resonance frequency	fs	110 HZ
Voice coil diameter		25 mm
Mechanical Q factor	Qms	3,27
Electrical Q factor	Qes	0,34
Total Q factor	Qts	0,31
Moving mass	Md	3,3 g
Effective piston area	Sd	35 cm²
Mechanical resistance	Rms	0,7 Kg/s
Compliance	Cms	0,63 mm/N
Force factor	BL	4,1 Tm
Equivalent air volume	Vas	1,1 dm³
Efficiency	η	0,41 %
SPL 2,83V/1m		93,19 dB
High-pass / Hochpass		> 300 Hz 18 dB/Oct > 350 Hz 12 dB/Oct



Cone: GLADEN C5
Spider: Connex
Surround: SBR
Coil former: Aluminum
Basket: Steel
Phase Plug: Aluminum

