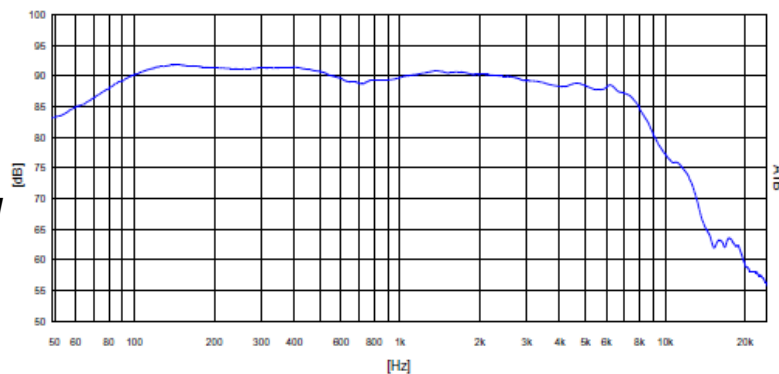


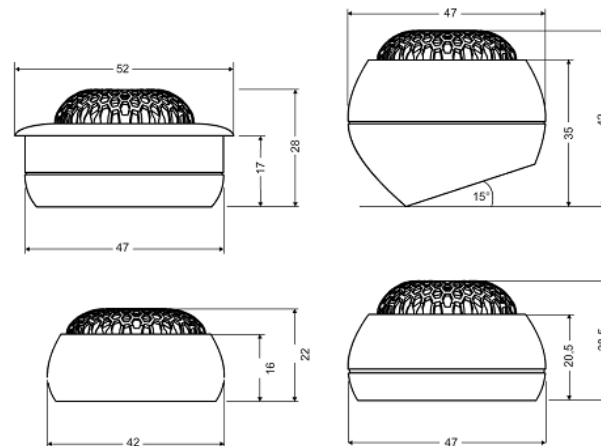
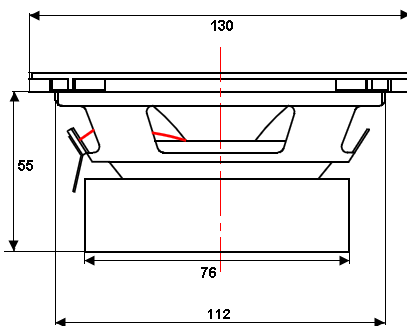
M 130

Midrange specifications:

Name		HG-130M-3
DC resistance	Rdc	2,4 Ω
Nominal impedance	ZN	3 Ω
Resonance frequency	fs	82,6 HZ
Voice coil diameter		25 mm
Mechanical Q factor	Qms	3,30
Electrical Q factor	Qes	0,84
Total Q factor	Qts	0,67
Moving mass	Mms	7,89 g
Effective piston area	Sd	85 cm²
Mechanical resistance	Rms	1,35 Kg/s
Compliance	Cms	0,47 mm/N
Force factor	BL	3,31Tm
Equivalent air volume	Vas	4,78 dm³
Efficiency	η	0,31 %
SPL 2,83V/1m		92,0 dB



Cone: **Fiberglass**
 Spider: **Nomex**
 Surround: **Rubber**
 Coil former: **Aluminum**
 Basket: **Steel**
 Dust cap: **Fiberglass**



Tweeter specifications:

Name		HG-25GF
DC resistance	Rdc	3,4 Ω
Nominal impedance	ZN	4 Ω
Resonance frequency	fs	1535 HZ
Voice coil diameter		25 mm

