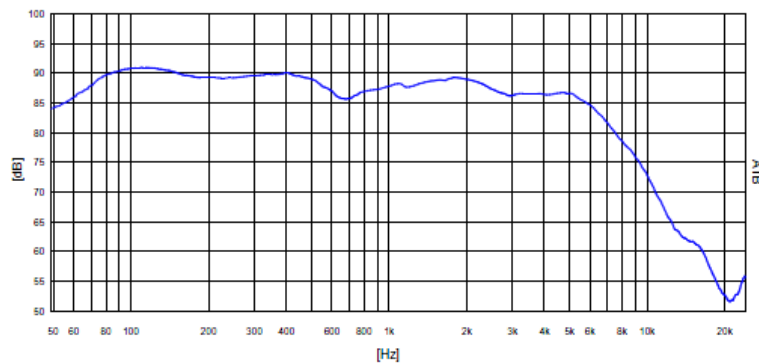


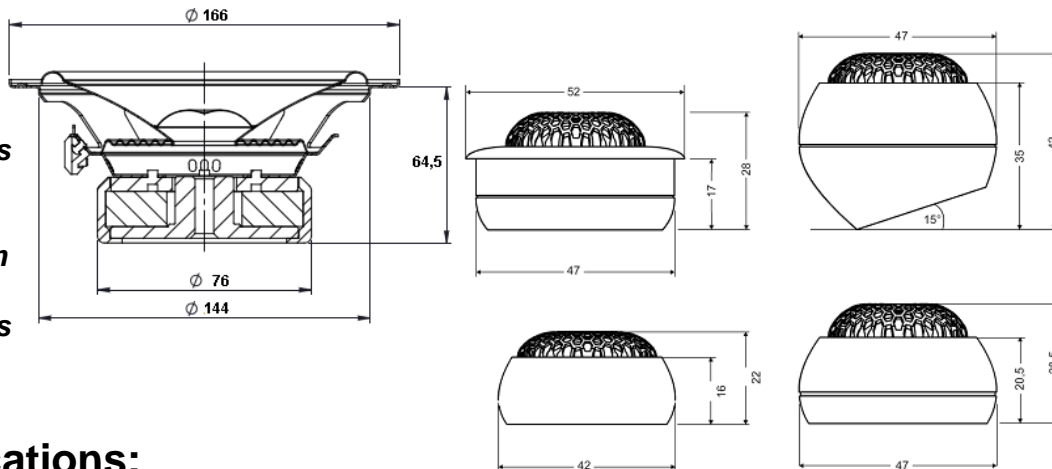
## M 165

### Midrange specifications:

Name		<b>HG-165M-3</b>
DC resistance	Rdc	<b>2,5 Ω</b>
Nominal impedance	ZN	<b>3 Ω</b>
Resonance frequency	fs	<b>59,1 HZ</b>
Voice coil diameter		<b>25 mm</b>
Mechanical Q factor	Qms	<b>3,94</b>
Electrical Q factor	Qes	<b>0,92</b>
Total Q factor	Qts	<b>0,74</b>
Moving mass	Mms	<b>14,07 g</b>
Effective piston area	Sd	<b>135 cm<sup>2</sup></b>
Mechanical resistance	Rms	<b>1,44Kg/s</b>
Compliance	Cms	<b>0,52 mm/N</b>
Force factor	BL	<b>3,64 Tm</b>
Equivalent air volume	Vas	<b>10,96 dm<sup>3</sup></b>
Efficiency	η	<b>0,24 %</b>
SPL 2,83V/1m		<b>90,74 dB</b>



Cone: **Fiberglass**  
 Spider: **Nomex**  
 Surround: **Rubber**  
 Coil former: **Aluminum**  
 Basket: **Steel**  
 Dust cap: **Fiberglass**



### Tweeter specifications:

Name		<b>HG-25GF</b>
DC resistance	Rdc	<b>3,4 Ω</b>
Nominal impedance	ZN	<b>4 Ω</b>
Resonance frequency	fs	<b>1535 HZ</b>
Voice coil diameter		<b>25 mm</b>

