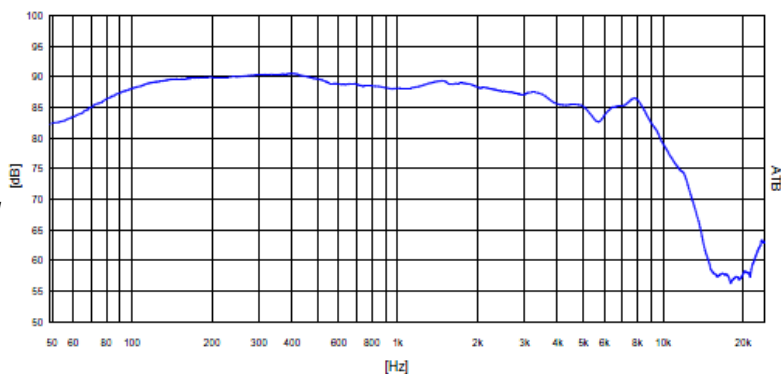


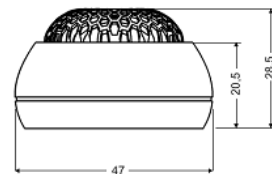
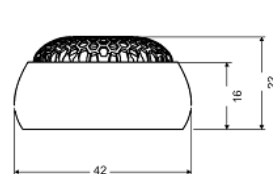
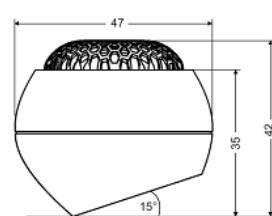
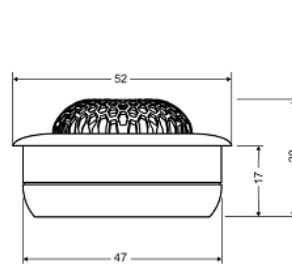
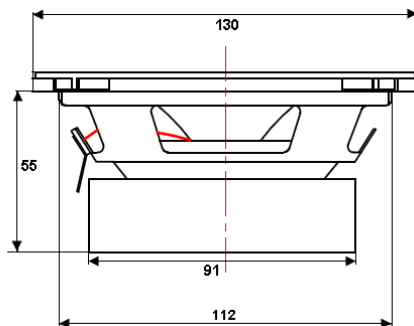
## RS 130

### Midrange specifications:

Name		<b>HG-130RS-3</b>
DC resistance	R <sub>dc</sub>	<b>2,5 Ω</b>
Nominal impedance	Z <sub>N</sub>	<b>3 Ω</b>
Resonance frequency	f <sub>s</sub>	<b>61,10 HZ</b>
Voice coil diameter		<b>25 mm</b>
Mechanical Q factor	Q <sub>ms</sub>	<b>2,58</b>
Electrical Q factor	Q <sub>es</sub>	<b>0,47</b>
Total Q factor	Q <sub>ts</sub>	<b>0,40</b>
Moving mass	M <sub>ms</sub>	<b>13,77 g</b>
Effective piston area	S <sub>d</sub>	<b>85 cm<sup>2</sup></b>
Mechanical resistance	R <sub>ms</sub>	<b>1,24 Kg/s</b>
Compliance	C <sub>ms</sub>	<b>0,49 mm/N</b>
Force factor	BL	<b>5,14Tm</b>
Equivalent air volume	V <sub>as</sub>	<b>5,0 dm<sup>3</sup></b>
Efficiency	η	<b>0,23 %</b>
SPL 2,83V/1m		<b>90,64 dB</b>



Cone: **Fiberglass**  
 Spider: **Nomex**  
 Surround: **Rubber**  
 Coil former: **Aluminum**  
 Basket: **Steel**  
 Dust cap: **Fiberglass**



### Tweeter specifications:

Name		<b>HG-25GF</b>
DC resistance	R <sub>dc</sub>	<b>3,4 Ω</b>
Nominal impedance	Z <sub>N</sub>	<b>4 Ω</b>
Resonance frequency	f <sub>s</sub>	<b>1535 HZ</b>
Voice coil diameter		<b>25 mm</b>

