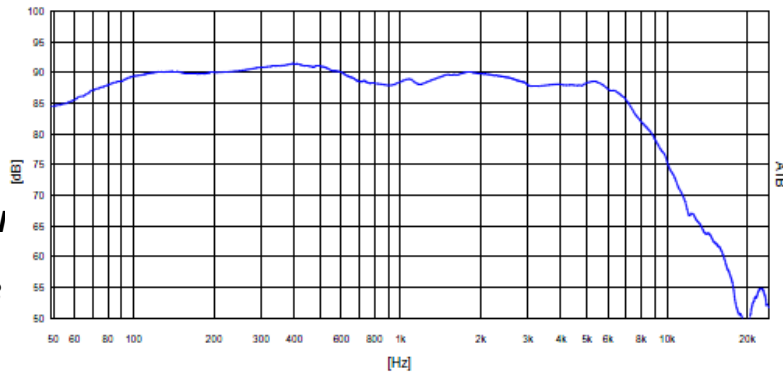


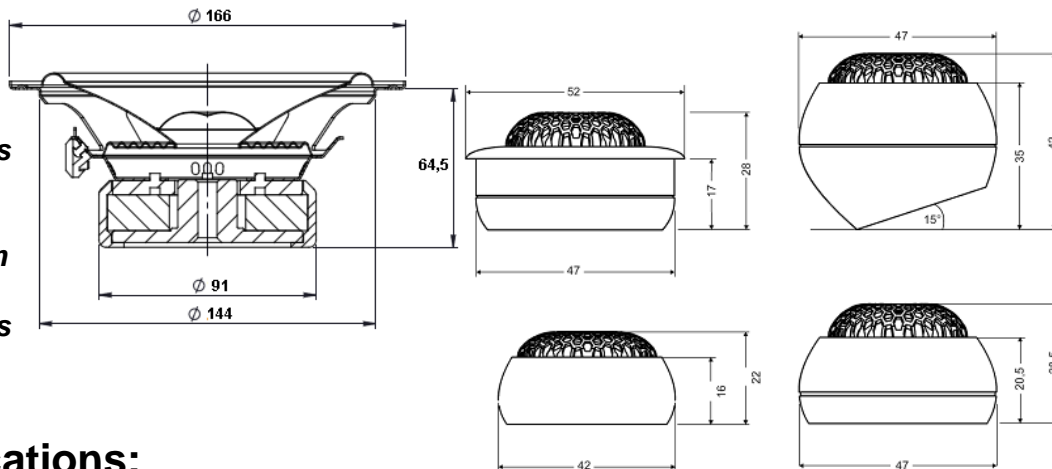
RS 165

Midrange specifications:

| | | |
|-----------------------|-----------------|-----------------------------|
| Name | | HG-165RS-3 |
| DC resistance | R _{dc} | 2,5 Ω |
| Nominal impedance | Z _N | 3 Ω |
| Resonance frequency | f _s | 56,63 HZ |
| Voice coil diameter | | 25 mm |
| Mechanical Q factor | Q _{ms} | 3,74 |
| Electrical Q factor | Q _{es} | 0,61 |
| Total Q factor | Q _{ts} | 0,52 |
| Moving mass | M _{ms} | 14,32 g |
| Effective piston area | S _d | 135 cm² |
| Mechanical resistance | R _{ms} | 1,48 Kg/s |
| Compliance | C _{ms} | 0,55 mm/N |
| Force factor | BL | 4,4Tm |
| Equivalent air volume | V _{as} | 11,72 dm³ |
| Efficiency | η | 0,34% |
| SPL 2,83V/1m | | 92,23 dB |



Cone: **Fiberglass**
 Spider: **Nomex**
 Surround: **Rubber**
 Coil former: **Aluminum**
 Basket: **Steel**
 Dust cap: **Fiberglass**



Tweeter specifications:

| | | |
|---------------------|-----------------|----------------|
| Name | | HG-25GF |
| DC resistance | R _{dc} | 3,4 Ω |
| Nominal impedance | Z _N | 4 Ω |
| Resonance frequency | f _s | 1535 HZ |
| Voice coil diameter | | 25 mm |

