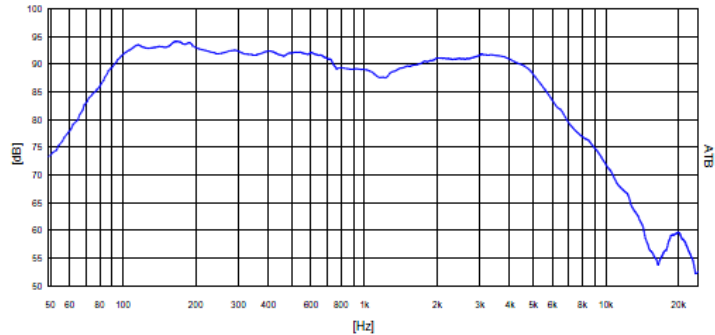


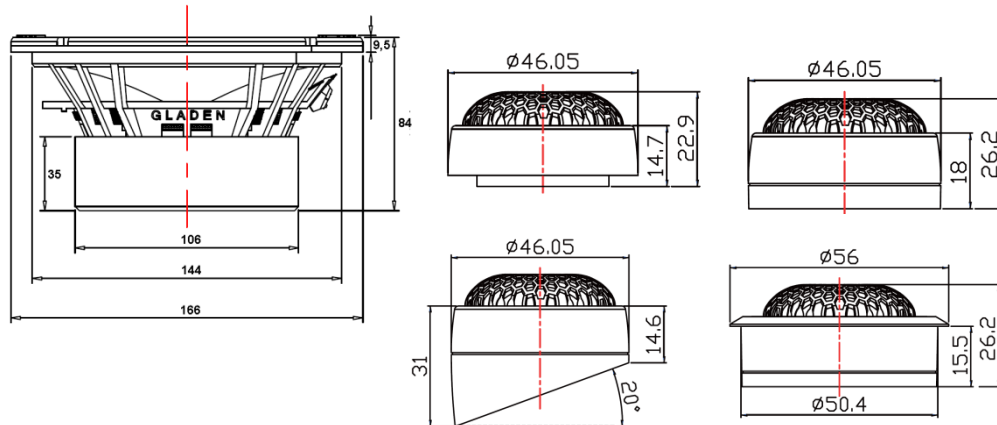
SQL 165

Midrange specifications:

Name		HG-165SQL-2
DC resistance	Rdc	1,8 Ω
Nominal impedance	ZN	2 Ω
Resonance frequency	fs	75,9 HZ
Voice coil diameter		37 mm
Mechanical Q factor	Qms	3,40
Electrical Q factor	Qes	0,69
Total Q factor	Qts	0,57
Moving mass	Mms	13,4 g
Effective piston area	Sd	135 cm²
Mechanical resistance	Rms	2,1 Kg/s
Compliance	Cms	0,33 mm/N
Force factor	BL	3,9Tm
Equivalent air volume	Vas	6,9 dm³
Efficiency	η	0,43 %
SPL 2,83V/1m		94,77 dB



Cone: **Carbon**
 Spider: **Nomex**
 Surround: **Rubber**
 Coil former: **Aluminum**
 Basket: **Aluminum**
 Dust cap: **Fiberglass**



Tweeter specifications:

Name		HG-25SG
DC resistance	Rdc	3,3 Ω
Nominal impedance	ZN	4 Ω
Resonance frequency	fs	1580 HZ
Voice coil diameter		25 mm

