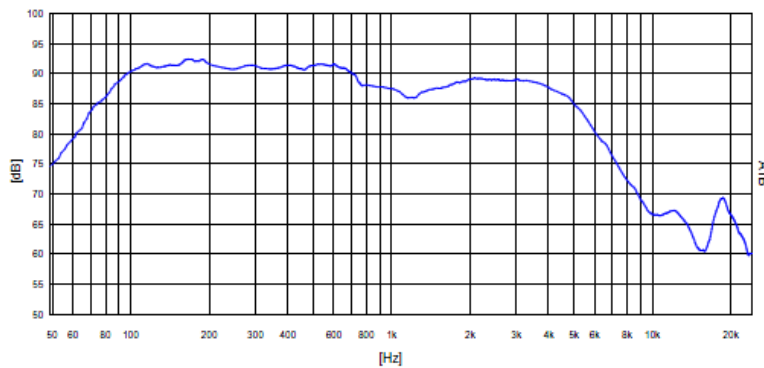


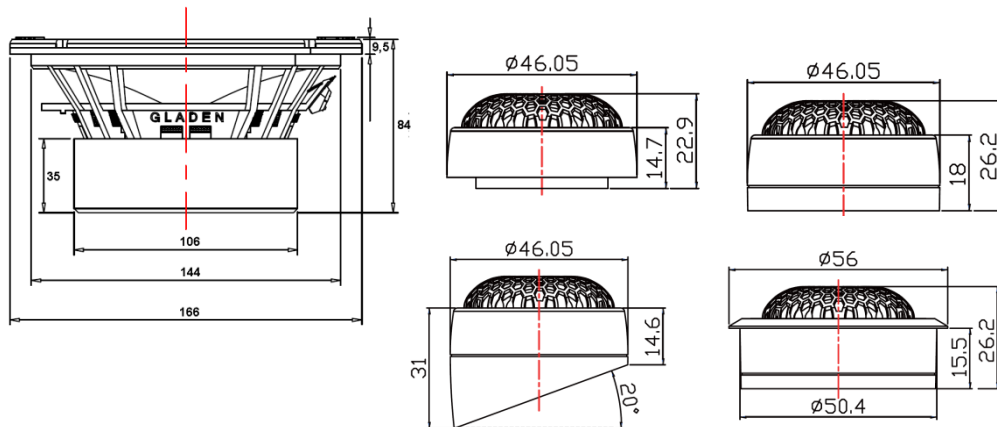
SQL 165 DUAL

Midrange specifications:

Name		2x HG-165SQL-4
DC resistance	R _{dc}	3,5 Ω
Nominal impedance	Z _N	4 Ω
Resonance frequency	f _s	67,7 HZ
Voice coil diameter		37 mm
Mechanical Q factor	Q _{ms}	2,96
Electrical Q factor	Q _{es}	0,68
Total Q factor	Q _{ts}	0,55
Moving mass	M _{ms}	14,28 g
Effective piston area	S _d	135 cm²
Mechanical resistance	R _{ms}	2,23 Kg/s
Compliance	C _{ms}	0,39 mm/N
Force factor	BL	5,4Tm
Equivalent air volume	V _{as}	8,22 dm³
Efficiency	η	0,36 %
SPL 2,83V/1m		91,2 dB



Cone: **Carbon**
 Spider: **Nomex**
 Surround: **Rubber**
 Coil former: **Aluminum**
 Basket: **Aluminum**
 Dust cap: **Fiberglass**



Tweeter specifications:

Name		HG-25SG
DC resistance	R _{dc}	3,3 Ω
Nominal impedance	Z _N	4 Ω
Resonance frequency	f _s	1580 HZ
Voice coil diameter		25 mm

