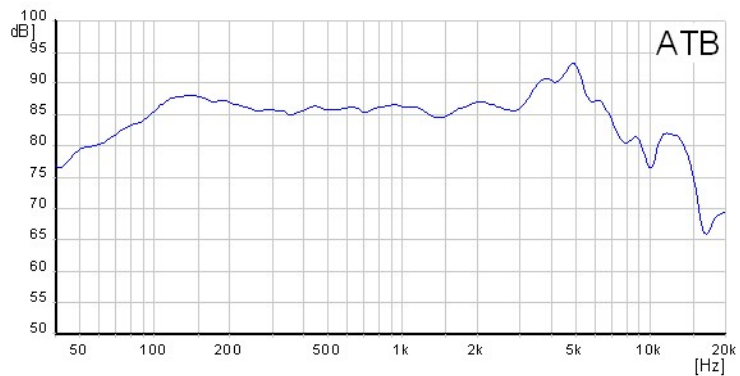


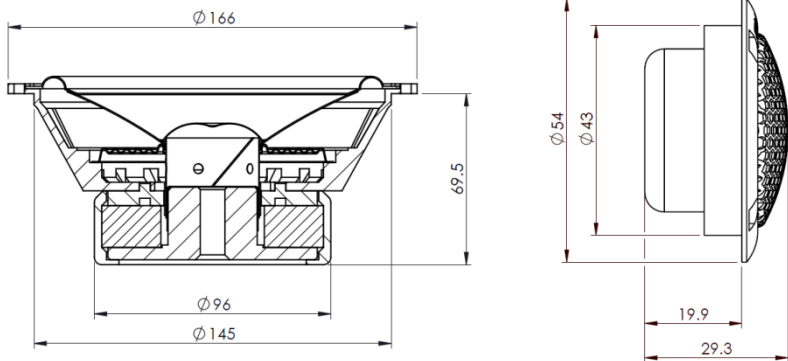
## ZERO PRO 165.2 DC AKTIV

### Midrange specifications:

Name		<b>HG-165ZPDC-3</b>
DC resistance	Rdc	<b>2,7 Ω</b>
Nominal impedance	ZN	<b>3 Ω</b>
Resonance frequency	fs	<b>52,59 HZ</b>
Voice coil diameter		<b>37 mm</b>
Mechanical Q factor	Qms	<b>3,78</b>
Electrical Q factor	Qes	<b>0,49</b>
Total Q factor	Qts	<b>0,44</b>
Moving mass Mms		<b>14,81 g</b>
Effective piston area	Sd	<b>135 cm<sup>2</sup></b>
Mechanical resistance	Rms	<b>1,29 Kg/s</b>
Compliance	Cms	<b>0,62 mm/N</b>
Force factor	BL	<b>5,17 Tm</b>
Equivalent air volume	Vas	<b>15,83 dm<sup>3</sup></b>
Efficiency	η	<b>0,45 %</b>
SPL 2,83V/1m		<b>93,25 dB</b>



Cone: **Paper**  
 Spider: **Nomex**  
 Surround: **Rubber**  
 Coil former: **Aluminum**  
 Basket: **Aluminum**  
 Dust cap: **Silk**



### Tweeter specifications:

Name		<b>HG-25PV</b>
DC resistance	Rdc	<b>3,4 Ω</b>
Nominal impedance	ZN	<b>4 Ω</b>
Resonance frequency	fs	<b>860 HZ</b>
Voice coil diameter		<b>25 mm</b>

