

## M 10

### Speaker Specifications

Power	Pe	<b>200 / 300</b>	RMS/Nom
DC resistance	Rdc	<b>3,2</b>	Ω
Nominal impedance	ZN	<b>4</b>	Ω
Resonance frequency	fs	<b>31,3</b>	HZ
Voice coil diameter		<b>2,0</b>	inch

Mechanical Q factor	Qms	<b>5,51</b>
Electrical Q factor	Qes	<b>0,40</b>
Total Q factor	Qts	<b>0,37</b>

Moving mass	Mms	<b>67,2</b>	g
Effective piston area	Sd	<b>366</b>	cm <sup>2</sup>
Mechanical resistance	Rms	<b>2,3</b>	Kg/s
Compliance	Cms	<b>0,34</b>	mm/N
Force factor	BL	<b>10,2</b>	Tm
Equivalent air volume	Vas	<b>63,6</b>	dm <sup>3</sup>

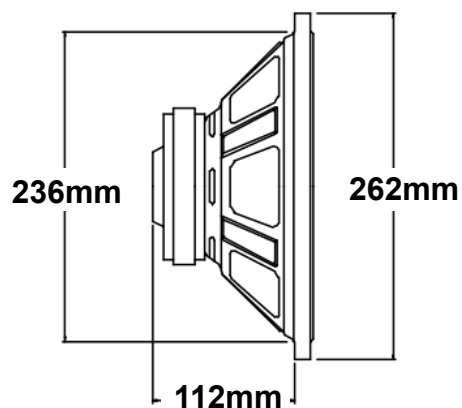
SPL 2,83V/1m **92,1** dB

Cone: Paper	Spider: Nomex
Surround: Rubber	Coil former: Aluminium
Basket: Steel	Dust cap: PP



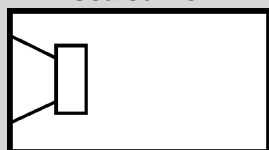
### Diameter

External diameter	<b>262 mm / 10,31 inch</b>
Installation diameter	<b>236 mm / 9,29 inch</b>
Installation depth	<b>112 mm / 4,41 inch</b>
Magnet diameter	<b>127 mm / 5,00 inch</b>



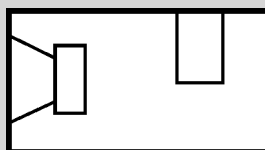
### Recommended Boxes (including Ports and Drivers)

#### Sealed Box



V: **20 l**

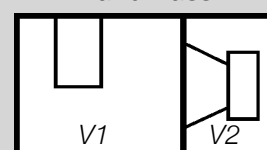
#### Vented Box



V: **29 l**

d: 70 mm / 2,76 inch  
l: 180 mm / 7,09 inch

#### Band Pass



V1: **17 l**      V2: **22 l**

d: 100 mm / 3,94 inch  
l: 280 mm / 11,02 inch