

RS-X 12

Speaker Specifications

Power	Pe	500 / 750	RMS/Nom
DC resistance	Rdc	3,71	Ω
Nominal impedance	ZN	4	Ω
Resonance frequency	fs	31,40	HZ
Voice coil diameter		3	inch
Xmax	+ -	14	mm

Mechanical Q factor	Qms	4,92
Electrical Q factor	Qes	0,49
Total Q factor	Qts	0,45

Moving mass	Mms	149,97	g
Effective piston area	Sd	514	cm ²
Mechanical resistance	Rms	6,54	Kg/s
Compliance	Cms	0,17	mm/N
Force factor	BL	14,37	Tm
Equivalent air volume	Vas	63,57	dm ³

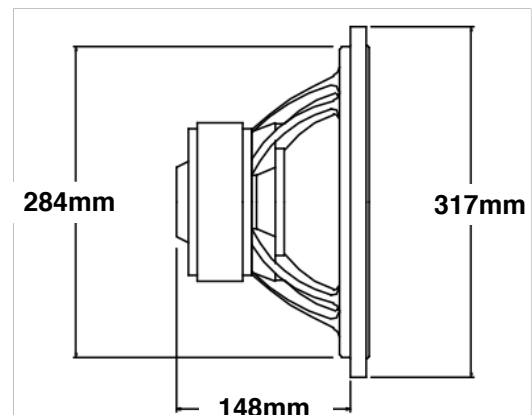
SPL 2,83V/1m **94,2** dB

Cone: Paper	Spider: Nomex
Surround: Foam	Coil former: Aluminum
Basket: Aluminum	Dust cap: PP



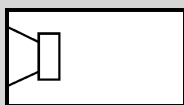
Diameter

External diameter	317 mm / 12,48 inch
Installation diameter	284 mm / 11,18 inch
Installation depth	148 mm / 5,82 inch
Magnet diameter	185 mm / 7,28 inch



Recommended Boxes (including Ports and Drivers)

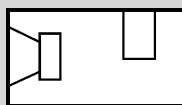
Sealed Box



V: **27** l

Ft: 49 Hz

Vented Box



V: **45** l

Ft: 43 Hz
d: 100 / 3,94 mm / inch
l: 23 / 7,87 mm / inch