

GLADEN®

GERMAN TECHNOLOGY

RS 12 FA

Speaker Specifications

Power	P_e	400 / 600	RMS/Nom
DC resistance	R_{dc}	3,9	Ω
Nominal impedance	Z_N	4	Ω
Resonance frequency	f_s	28,1	HZ
Voice coil diameter		2,5	inch

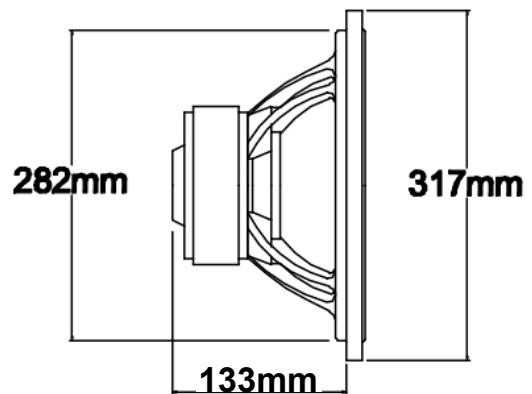
Mechanical Q factor	Q_{ms}	5,79
Electrical Q factor	Q_{es}	0,58
Total Q factor	Q_{ts}	0,53

Moving mass	M_{ms}	143,3	g
Effective piston area	S_d	490	cm ²
Mechanical resistance	R_{ms}	4,4	Kg/s
Compliance	C_{ms}	0,22	mm/N
Force factor	BL	13,2	Tm
Equivalent air volume	V_{as}	92,2	dm ³
SPL 2,83V/1m		90,3	dB



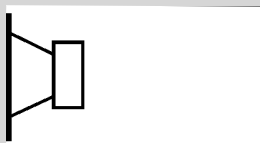
Diameter

External diameter	317 mm / 12,48 inch
Installation diameter	282 mm / 11,1 inch
Installation depth	133 mm / 5,24 inch
Magnet diameter	150 mm / 5,91 inch

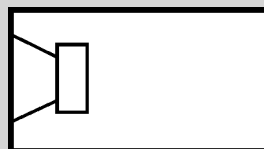


Recommended Boxes (including Ports and Drivers)

Free Air

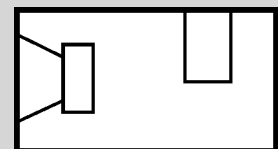


Sealed Box



V: **32 l**

Vented Box



V: **48 l**

d: 100 / 3,94 mm / inch
l: 200 / 7,87 mm / inch