

GLADEN®

GERMAN TECHNOLOGY

RS 15 FA

Speaker Specifications

Power	R_e	450 / 650	RMS/Nom
DC resistance	R_{dc}	4,0	Ω
Nominal impedance	Z_N	4	Ω
Resonance frequency	f_s	27,6	HZ
Voice coil diameter		2,5	inch

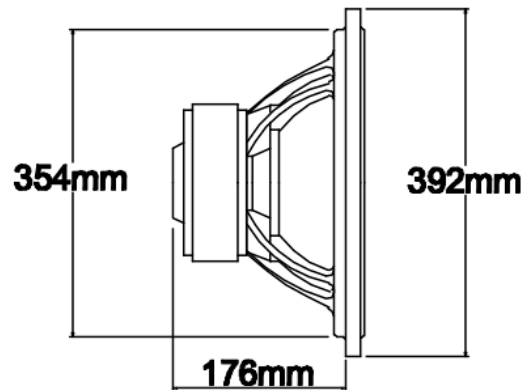
Mechanical Q factor	Q_{ms}	5,92
Electrical Q factor	Q_{es}	0,60
Total Q factor	Q_{ts}	0,54

Moving mass	M_{ms}	237,5	g
Effective piston area	S_d	830	cm ²
Mechanical resistance	R_{ms}	7,0	Kg/s
Compliance	C_{ms}	0,14	mm/N
Force factor	BL	16,6	Tm
Equivalent air volume	V_{as}	134,7	dm ³
SPL 2,83V/1m		91,6	dB



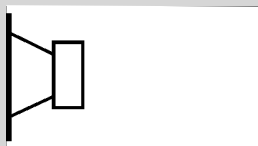
Diameter

External diameter	392 mm / 15,43 inch
Installation diameter	354 mm / 13,94 inch
Installation depth	176 mm / 6,93 inch
Magnet diameter	190 mm / 7,48 inch

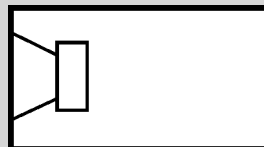


Recommended Boxes (including Ports and Drivers)

Free Air

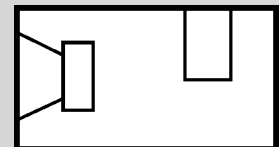


Sealed Box



V: 70 l

Vented Box



V: 100 l

d: 2 x 100 / 3,94 mm / inch
l: 200 / 7,87 mm / inch