

SPL 15

Speaker Specifications

Power	Pe	2 x 1100/1650	RMS/Nom
DC resistance	Rdc	2 x 1,2	Ω
Nominal impedance	ZN	2 x 1	Ω
Resonance frequency	fs	37,8	HZ
Voice coil diameter (flat wire)		4	inch
X-Max	+ / -	20	mm

Mechanical Q factor	Qms	5,97
Electrical Q factor	Qes	0,48
Total Q factor	Qts	0,47

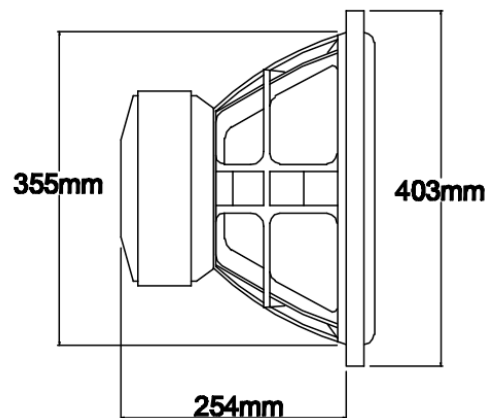
Moving mass	Mms	327,9	g
Effective piston area	Sd	830	cm ²
Mechanical resistance	Rms	11,2	Kg/s
Compliance	Cms	0,06	mm/N
Force factor	BL	16,8	Tm
Equivalent air volume	Vas	48,6	dm ³
SPL 2,83V/1m		91,8	dB

Cone: Fiberglass	Spider: Nomex
Surround: Foam	Coil former: Aluminium
Basket: Aluminium	Dust cap: Fiberglass



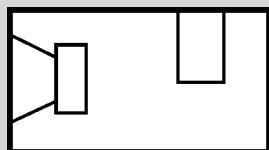
Diameter

External diameter	403 mm / 15,87 inch
Installation diameter	355 mm / 13,98 inch
Installation depth	254 mm / 10,00 inch
Magnet diameter	230 mm / 9,06 inch



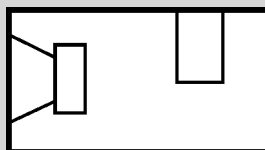
Recommended Boxes (including Ports and Drivers)

Vented Box



V: 95 l
 ft: 39 Hz
 d: 2x 100 mm / 3,94 inch
 l: 250 mm / 9,84 inch

Vented Box



V: 130 l
 ft: 41 Hz
 d: 4x 100 mm / 3,94 inch
 l: 280 mm / 11,02 inch