

SQX 08

Speaker Specifications

Power	P_e	375 / 250	RMS/Nom
DC resistance	R_{dc}	3,2	Ω
Nominal impedance	Z_N	4	Ω
Resonance frequency	f_s	45,9	HZ
Voice coil diameter		2,0	inch
Xmax	+ -	8	mm

Mechanical Q factor	Q_{ms}	5,82
Electrical Q factor	Q_{es}	0,54
Total Q factor	Q_{ts}	0,49

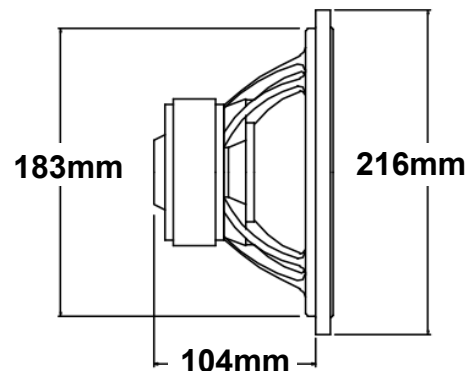
Moving mass	M_{ms}	51,1	g
Effective piston area	S_d	221	cm ²
Mechanical resistance	R_{ms}	2,5	Kg/s
Compliance	C_{ms}	0,23	mm/N
Force factor	BL	9,4	Tm
Equivalent air volume	V_{as}	13,3	dm ³
SPL 2,83V/1m		88,6	dB

Cone: Paper	Spider: Nomex
Surround: Foam	Coil former: Aluminum
Basket: Aluminum	Dust cap: PP



Diameter

External diameter	216 mm / 8,50 inch
Installation diameter	183 mm / 7,20 inch
Installation depth	104 mm / 4,09 inch
Magnet diameter	126 mm / 4,96 inch



Recommended Boxes (including Ports and Drivers)

Sealed Box	$V: 10 \text{ l}$
Vented Box	$V: 18 \text{ l}$
	$f_t: 56 \text{ Hz}$ $d: 70 \text{ mm} / 2,76 \text{ inch}$ $l: 175 \text{ mm} / 6,89 \text{ inch}$

Band Pass	$V1: 13 \text{ l}$ $V2: 9 \text{ l}$
	$d: 70 \text{ mm} / 2,76 \text{ inch}$ $l: 150 \text{ mm} / 5,90 \text{ inch}$

Double Vented Bandpass	$V1: 8 \text{ l}$ $V2: 16 \text{ l}$
	$F1: 85 \text{ Hz}$ $F2: 45 \text{ Hz}$ $d: 70 \text{ mm} / 2,76 \text{ inch}$ $d: 50 \text{ mm} / 1,97 \text{ inch}$ $l: 160 \text{ mm} / 6,30 \text{ inch}$ $l: 160 \text{ mm} / 6,30 \text{ inch}$