

SQX 12 EXTREME

Speaker Specifications

Power	Pe	750/1125	RMS/Nom
DC resistance	Rdc	1,9	Ω
Nominal impedance	ZN	2	Ω
Resonance frequency	fs	30	HZ
Voice coil diameter		3	inch
Xmax	+ -	14	mm

Mechanical Q factor	Qms	5,52
Electrical Q factor	Qes	0,34
Total Q factor	Qts	0,32

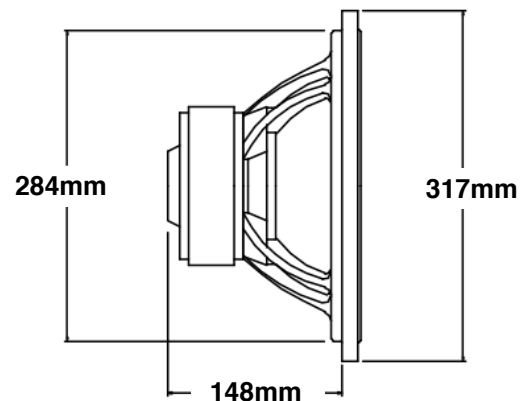
Moving mass	Mms	205	g
Effective piston area	Sd	490	cm ²
Mechanical resistance	Rms	7,5	Kg/s
Compliance	Cms	0,14	mm/N
Force factor	BL	14	Tm
Equivalent air volume	Vas	48	dm ³
SPL 2,83V/1m		93,5	dB

Cone: Paper	Spider: Nomex
Surround: Foam	Coil former: Aluminium
Basket: Aluminium	Dust cap: PP



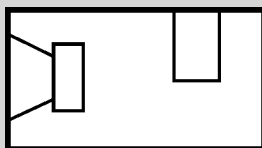
Diameter

External diameter	317 mm / 12,48 inch
Installation diameter	284 mm / 11,18 inch
Installation depth	148 mm / 5,82 inch
Magnet diameter	185 mm / 7,28 inch



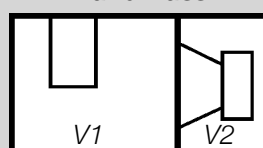
Recommended Boxes (including Ports and Drivers)

Vented Box



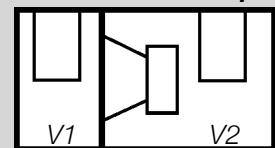
V: 50 l	V: 65 l
Ft: 43 Hz	Ft: 43 Hz
d: 100 mm / 3,94 inch	d: 2 x 100 mm / 3,94 mm inch
l: 200 mm / 7,87 inch	l: 300 mm / 11,81 inch

Band Pass



V1: 40 l	V2: 25 l
Fm: 60 Hz	
d: 2 x 100 mm / 3,94 inch	
l: 250 mm / 9,84 inch	

Double Vented Bandpass



V1: 25 l	V2: 52 l
F1: 75 Hz	F2: 47 Hz
d: 2 x 100 mm / 3,94 inch	d: 100 mm / 3,94 inch
l: 300 mm / 11,81 inch	l: 300 mm / 11,81 inch