

SQX 15

Speaker Specifications

Power	Re	700 / 1050	RMS/Nom
DC resistance	Rdc	3,3	Ω
Nominal impedance	ZN	4	Ω
Resonance frequency	fs	36	HZ
Voice coil diameter		3	inch

Mechanical Q factor	Qms	6,17
Electrical Q factor	Qes	0,58
Total Q factor	Qts	0,53

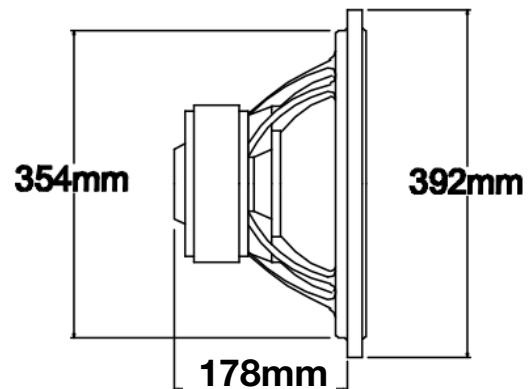
Moving mass	Mms	230	g
Effective piston area	Sd	830	cm ²
Mechanical resistance	Rms	9,2	Kg/s
Compliance	Cms	0,08	mm/N
Force factor	BL	16,6	Tm
Equivalent air volume	Vas	80,8	dm ³
SPL 2,83V/1m		93,9	dB

Cone: Paper	Spider: Nomex
Surround: Foam	Coil former: Aluminium
Basket: Aluminium	Dust cap: PP



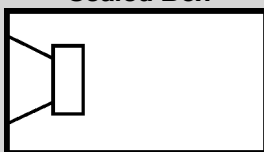
Diameter

External diameter	392 mm / 15,43 inch
Installation diameter	354 mm / 13,94 inch
Installation depth	178 mm / 7,01 inch
Magnet diameter	190 mm / 7,48 inch



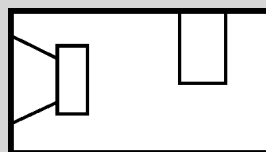
Recommended Boxes (including Ports and Drivers)

Sealed Box



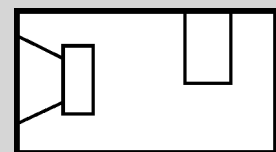
V: **60 l**

Vented Box



V: 95 l
 ft: 39 Hz (42 Hz)
 d: 2x 100 mm / 3,94 inch
 l: 250 mm / 9,84 inch
 (200 mm / 7,88 inch)

Vented Box



V: 130 l
 ft: 41 Hz (44 Hz)
 d: 4x 100 mm / 3,94 inch
 l: 280 mm / 11,02 inch
 (220 mm / 8,66 inch)