

ZERO 10 PRO

Speaker Specifications

Power	Pe	400 / 600	RMS/Nom
DC resistance	Rdc	3,4	Ω
Nominal impedance	ZN	4	Ω
Resonance frequency	fs	30	HZ
Voice coil diameter		2,5	inch
Xmax	+ -	12,5	mm

Mechanical Q factor	Qms	7,34
Electrical Q factor	Qes	0,49
Total Q factor	Qts	0,46

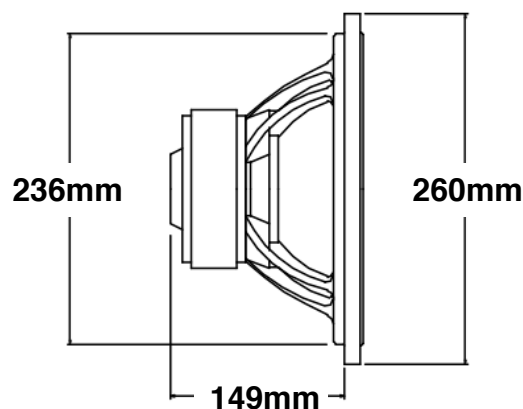
Moving mass	Mms	98,57	g
Effective piston area	Sd	346	cm ²
Mechanical resistance	Rms	2,77	Kg/s
Compliance	Cms	0,28	mm/N
Force factor	BL	10,9	Tm
Equivalent air volume	Vas	47,25	dm ³
SPL 2,83V/1m		90	dB

Cone: PFP	Spider: Nomex
Surround: Rubber	Coil former: Aluminium
Basket: Aluminium	Dust cap: Paper



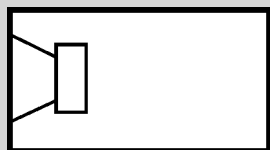
Diameter

External diameter	260 mm / 10,24 inch
Installation diameter	236 mm / 9,29 inch
Installation depth	149 mm / 5,87 inch
Magnet diameter	155 mm / 6,10 inch



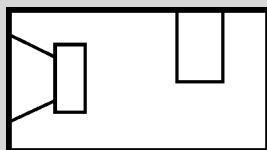
Recommended Boxes (including Ports and Drivers)

Sealed Box



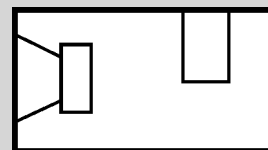
V: **20 l**

Vented Box



For Fun
V: **34 l**
Ft: 49 Hz
d: 100 mm / 4,92 inch
l: 210 / 8,27 mm / inch

Vented Box



For SQ
V: **34 l**
Ft: 43 Hz
d: 100 mm / 4,92 inch
l: 300 / 11,81 mm / inch